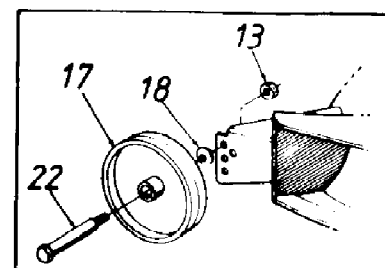
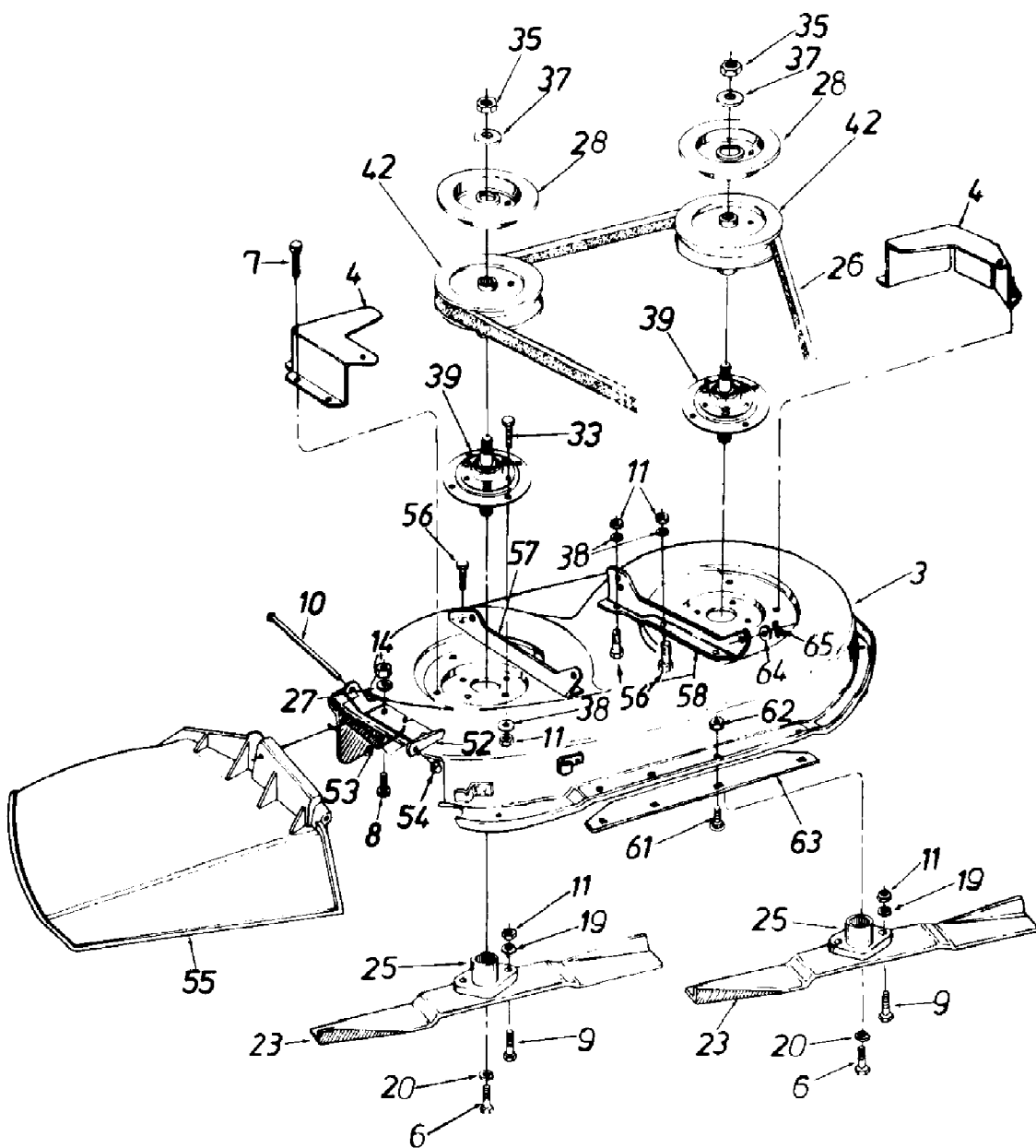


132-455F190 L-12 (1992)
38" Mowing Deck

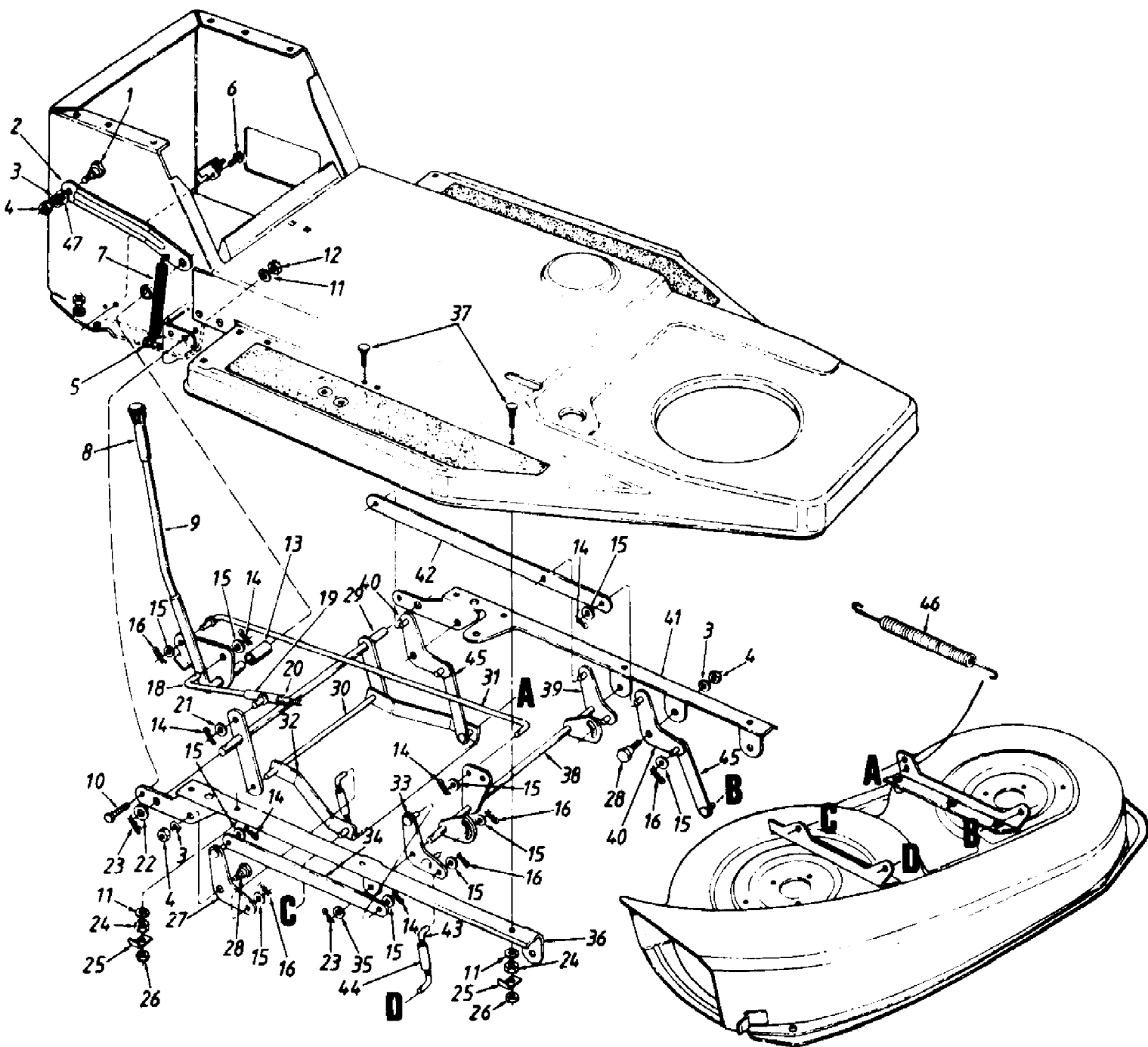


132-455F190 L-12 (1992)
38" Mowing Deck

Page 2 of 22

Ref #	Part Number	Qty	S/P/F	Description
3	17503A	1	S	38" Deck Ass'y. w/Deck Wheels
	813-04120	1		38" Deck Ass'y. Comp. w/Deck Wheels (For Service Only)
4	17665	1	S	Belt Guard Deck
6	710-0152	1	S	Hex Bolt 3/8-24 x 1.0" Lg.
7	710-0599	1	/P	Hex Wash. Hd. TT-Tap Scr. 1/4-20 Thd.
8	710-0258	1	S	Hex Bolt 1/4-20 x .62"
9	710-0888	1	/P	Hex Bolt Special 5/16-24 x 1.0"
10	711-0792	1	S	Hinge Pin
11	712-0123	1	/P/F	Hex Nut 5/16-24 Thd.
13	712-0181	1	S	Hex Top L-Nut 3/8-16 Thd.
14	712-0287	1	S/F	Hex Nut 1/4-20 Thd.
17	734-0973	1	/P	Deck Wheel - 5"
18	736-0105	1	/P	Bell-Wash. .40" I.D. x .88" O.D.
19	736-0119	1	S/F	L-Wash. 5/16" I.D.
20	736-0217	1	S	L-Wash. 3/8" I.D. - H.D.
22	738-0373	1	S	Shld. Bolt .498" Dia. x 1.53"
23	742-0473A	1	S	High-Lift Blade
25	748-0300	1		Blade Adapter
26	754-0329A	1	S	V-Belt
27	736-0270	1	/P	Bell-Wash. 1/4" I.D.
28	09322	1		Brake Disc
33	710-0157	1	/P	Hex Bolt 5/16-24 x .75" Lg.
35	712-0318	1	/P	Hex Jam Nut 5/8-18 Thd.
37	736-0158	1	S/F	L-Wash. 5/8" I.D.
38	736-0242	1	/P	Bell-Wash. .345" I.D. x .88" O.D.
39	717-0906	1	S	Blade Spindle Ass'y. Comp. Incl. Ref. 33
42	756-0486	1		5" Dia. Pulley
52	703-1693	1	S	Hinge Mtg. Brkt.
53	732-0602	1	S	Torsion Spring
54	726-0106	1	S	Push Nut
55	731-1032	1	S	Chute Ass'y. Comp. (Incl. Ref. 10, 52, 53, 54, 55)
56	710-0157	1	/P	Hex Bolt 5/16-24 x .75" Lg.
57	17572	1	S	Deck Hanger Channel - R.H.
58	17571	1	S	Deck Hanger Channel - L.H.
61	710-0167	1	/P	Carr. Bolt 1/4-20 x .5" Lg.
62	712-0271	1	/P	Hex Sems Nut 1/4-20 Thd.
63	17863	1	S	Deck Skirt Ext.
64	736-0185	1	S	FI-Wash. .406" I.D. x .73" O.D.
65	714-0104	1	S	Hairpin Clip 3/8" Dia.

132-455F190 L-12 (1992)
Deck & Lift Assembly

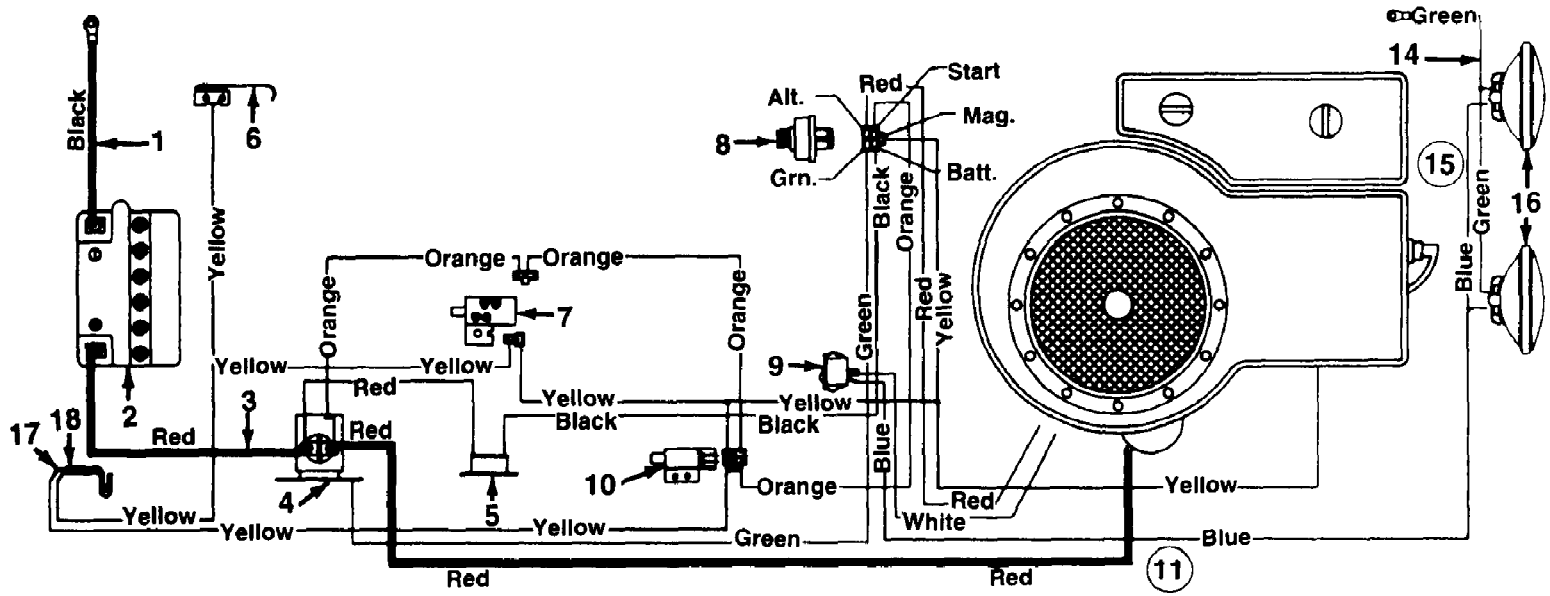


132-455F190 L-12 (1992)
Deck & Lift Assembly

Page 4 of 22

Ref #	Part Number	Qty	S/P/F	Description
1	738-0143	1	/P	Shld. Bolt .5" Dia. x .34" Lg.
2	17580	1	S	Lift Handle Support Strap
3	736-0169	1	S/F	L-Wash. 3/8" I.D.
4	712-0798	1	/P/F	Hex Nut 3/8-16 Thd.
5	710-0428	1		Hex Bolt 1/4-28 x 1.25" Lg.
6	710-0599	1	/P	Hex Wash. Hd. TT-Tap Scr. 1/4-20 x .5" Lg.
7	732-0640	1		Ext. Spring
8	720-0223	1		Grip
9	17591A	1	/P	Deck Lift Handle Ass'y.
10	710-0604	1	S	Hex Wash. TT-Tap Scr. 5/16-18 x .62" Lg.
11	736-0119	1	S/F	L-Wash. 5/16" I.D.
12	712-0267	1	S/F	Hex Nut 5/16-18 Thd.
13	750-0379	1		Spacer 5/8" I.D. x .78"
14	714-0507	1	S	Cot-Pin 3/32" Dia. x .75" Lg.
15	736-0185	1	S	FI-Wash. .406" I.D. x .75" O.D.
16	714-0104	1	S	Internal Cot-Pin 5/16" Dia.
18	747-0746	1		Deck Engagement Rod
19	16682	1		Pivot Sleeve Ass'y.
20	712-0130	1	/P	Hex L-Nut 3/8-16 Thd.
21	736-0314	1	S	Thrust Washer .382" I.D.
22	736-0116	1	S	FI-Wash. .635" I.D. x .93" O.D.
23	714-0470	1	S	Cot-Pin 1/8 Dia. x 1.25" Lg.
24	712-0123	1	/P	Hex Nut 5/16-24 Thd.
25	17615	1	S	Harness Retainer
26	712-0237	1	S	Hex Cent. L-Nut 5/16-24 Thd.
27	17555	1	S	Deck Pivot Brkt. Ass'y. - R.H. Rear
28	738-0281	1	S	Shld. Bolt .625" Dia. x .170" Lg.
29	17574	1	S	Deck Link Shaft Ass'y.
30	738-0667	1		Shaft 11.2" Lg.
31	747-0745	1		Deck Lift Rod
32	17573	1	S	Deck Stabilizer Brkt.
33	17554	1	S	Deck Pivot Brkt. Ass'y. - R.H. Front
34	17563	1	S	Connecting Link - R.H.
35	736-0336	1	S	FI-Wash. 5/8" I.D. x 1.0" O.D.
36	17582	1	S	Pivot Support Brkt. - R.H.
37	710-1012	1	/P	Rib Neck Bolt 5/16-24 x .84" Lg.
38	17568	1	S	Cross Shaft Ass'y.
39	17557	1	S	Deck Pivot Brkt. Ass'y. - L.H.
40	17556	1	S	Deck Pivot Brkt. Ass'y. - L.H.
41	17581	1	S	Pivot Support Brkt. - L.H.
42	17562	1	S	Connecting Link - L.H.
43	747-0584	1	S	Lift Link 3/8-24 x 1.25" Lg.
44	17709	1	S	Adj. Lift Link Ass'y.
45	17598	1		Deck Lift Link Ass'y.
46	732-0564	1	S	Deck Spring 10.33" Lg.
47	736-0192	1	S	FI-Wash. .531" I.D. x .94"

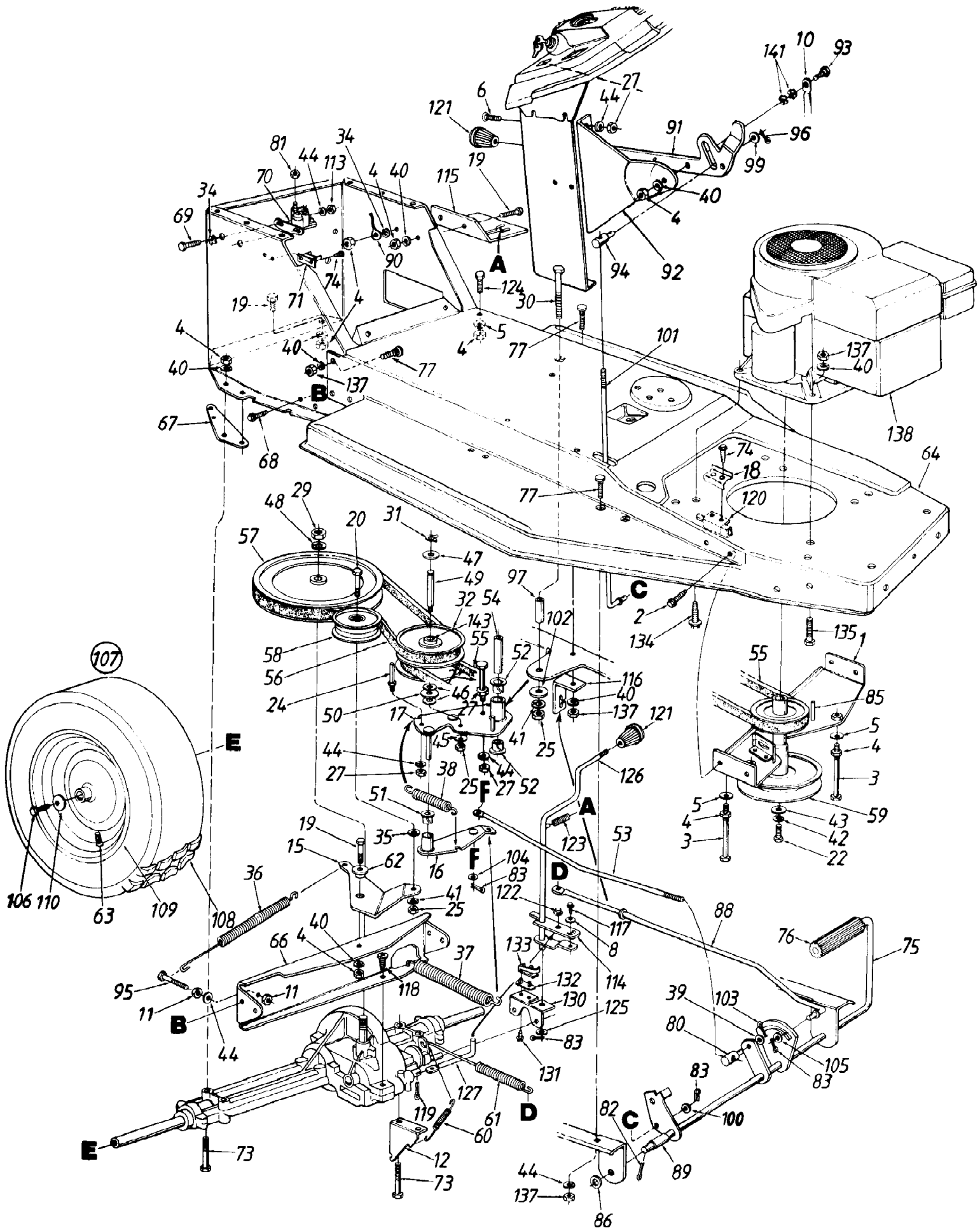
132-455F190 L-12 (1992)
Electrical System



132-455F190 L-12 (1992)
Electrical System

Page 6 of 22

Ref #	Part Number	Qty	S/P/F	Description
1	725-0976A	1	/P	Ground Wire
2	725-0514A	1	S	Battery
3	725-1351	1	S	Electric Wire - 8.0" Lg.
4	725-1426	1	S	Solenoid
5	725-0459	1	S	Circuit Breaker
6	732-0758	1	S	Spring Switch (Reverse)
7	725-0819A	1	S	Safety Switch (Deck)
8	725-0267	1	S	Ignition Switch
9	725-0634	1	S	Light Switch
10	725-3169A	1	S	Safety Switch (Clutch)
11	725-1475	1		Harness
14	725-0916A	1	/P	Ground Wire
15	629-0084	1		Headlight Harness
16	725-0222	1	S	Headlight(Round)
17	725-1303	1	S	Safety Switch (Seat)
18	725-1439	1		Safety Switch (Seat)



132-455F190 L-12 (1992)
Engine, Lower Deck & Drive System

Page 8 of 22

Ref #	Part Number	Qty	S/P/F	Description
1	16670	1	S	Engine Pulley Belt Guard Ass'y.
2	710-0776A	1	S	Hex AB-Tap Scr. 1/4 x .62"
3	710-0833	1	/P	Hex Bolt 5/16-18 x 5 1/4" Lg.
4	712-0267	1	S/F	Hex Nut 5/16-18 Thd.
5	736-0242	1	/P	Bell-Wash. .345" I.D. x .88
6	710-0286	1	/P/F	Truss-Mach. Scr. 1/4-20 x .50"
7	710-1223	1	S	Hex Bolt 1/4-20 x 3.5" Lg.
8	736-0270	1	/P	Bell-Wash. .265" I.D. x .75
10	749-0820	1		Speed Selector Brace
11	712-0138	1	S/F	Hex Nut 1/4-28 thd.
12	17128A	1	S	Spring Retainer Brkt. Code: N notates a new part (not previously existing).
15	15891C	1	S	Idler Bracket
16	16554A	1	S	Var. Speed Torque Brkt. Ass'y.
17	16676A	1	S	Variable Speed Brkt. Ass'y.
18	17962	1		Switch Plate
19	710-0118	1	S/F	Hex Bolt 5/16-18 x .75" Lg.
20	710-0151	1	/P	Hex Bolt 3/8-24 x 2.0" Lg. Gr. 5
22	710-0757	1	/P/F	Hex Bolt 7/16-20 x 1.5" Lg.
24	711-0768	1	S	Belt Guard Pin
25	712-0241	1	/P/F	Hex Nut 3/8-24 Thd.
27	712-0287	1	S/F	Hex Nut 1/4-20 Thd.
29	712-3035	1	/P	Hex Jam Nut 9/16-18 Thd.
30	710-0902	1		Hex Bolt 3/8-24 x 3.75" Lg.
31	716-0114	1	S	Snap Ring
32	717-0800	1	S	Variable Speed Pulley Ass'y.
34	736-0607	1	/P	Ext. L-Wash. 5/16" I.D.
35	736-0258	1	/P	FI-Wash. 3/8" I.D. x 1.0" O.D.
36	732-0384	1	S	Extension Spring 6.12" Lg.
37	732-0556	1	S	Extension Spring 7.58" Lg.
38	732-0568	1	S	Extension Spring 2.59" Lg.
39	736-0117	1	S	FI-Wash. .385" I.D. x .620"
40	736-0119	1	S/F	L-Wash. 5/16" I.D.
41	736-0169	1	S/F	L-Wash. 3/8" I.D.
42	736-0171	1	S/F	L-Wash. 7/16" I.D.
43	736-0322	1	/P	FI-Wash. .450" I.D. x 1.25"
44	736-0329	1	S/F	L-Wash. 1/4" I.D.
45	736-0331	1	/P	Bell-Wash. .39" I.D. x 1.13"
46	736-0355	1	/P	FI-Wash. .56" I.D. x 1.0" O.D.
47	736-0414	1	S	Washer "Teflon" .565 I.D.
48	736-0427	1	S	Bell-Wash. 9/16" I.D. x 1.125" O.D.
49	738-0569	1	S	Shaft .56" Dia. x 3.875" Lg.
50	741-0405	1	S	Thrust Brg. 1.25 O.D.
51	741-0419	1		Flanged Nyliner Brg.
52	741-0495	1	/P	Nyliner Flanged Brg.
53	747-0599A	1	S	Speed Control Rod Code: N notates a new part (not previously existing).
54	750-0703	1		Spacer
55	754-0280	1	S	V-Belt
56	754-0281	1	S	V-Belt
57	656-0003	1		V-Pulley 8" Dia.
58	756-0437	1		V-Pulley 8" Dia.

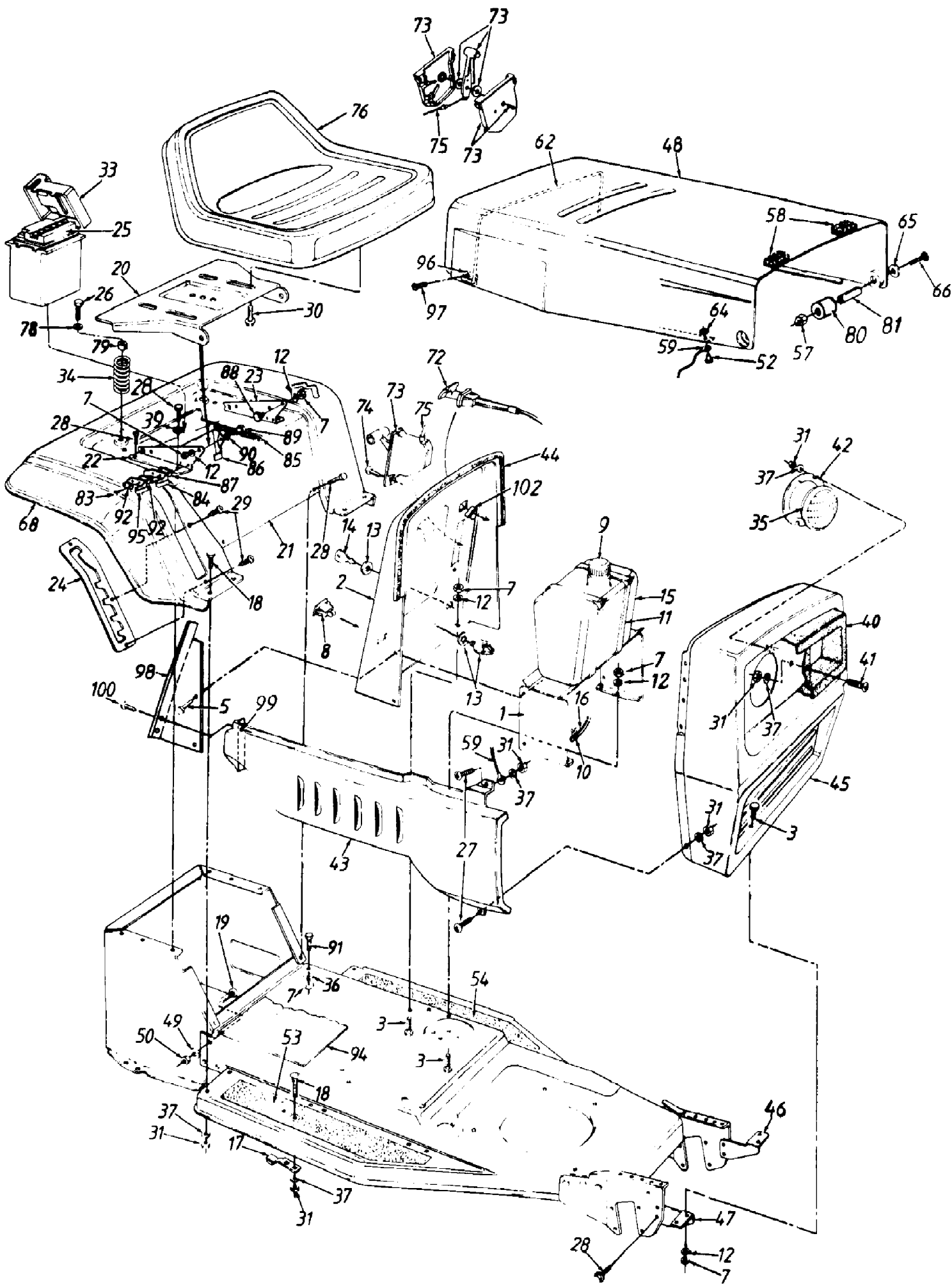
Ref #	Part Number	Qty	S/P/F	Description
59	756-0551	1	S	Dbl. Pulley 6.0" Dia. x 3.56"
60	732-0303	1	S	Extension Spring 3.18" Lg.
61	732-0413	1	S	Extension Spring 7.08" Lg.
62	748-0234	1	/P	Shld. Spacer .500" Dia.
63	734-0255	1	S	Air Valve
64	17588A	1		Front Frame
?65	17589	1	S	Rear Frame
66	16654	1	S	Transaxle Support Brkt.
67	16659	1	S	Transaxle Brkt. Reinforcement
68	710-0726	1	/P	Hex Wash. AB-Tap Scr. 5/16 x .75" Lg.
69	710-0258	1	S/F	Hex Bolt 1/4-20 x .62" Lg.
70	725-1426	1	S	Solenoid
71	725-0459	1	S	Circuit Breaker
?72	736-0222	1	S	External L-Wash. 1/4" I.D.
73	710-0176	1	/P/F	Hex Bolt 5/16-18 x 2.75" Lg.
74	710-0351	1	/P	Truss Mach. B-Tap Scr. #10 x .50" Lg.
75	17644A	1	S	Foot Pedal Rod Ass'y. Code: N notates a new part (not previously existing).
76	735-0239	1	/P	Foot Pad
77	710-1012	1	/P	Ribbed Neck Bolt 5/16-24 x .84"
80	711-0198	1	S	Ferrule
81	712-0271	1	/P	Hex Sems Nut 1/4-20 Thd.
82	714-0470	1	S	Cot-Pin 1/8" Dia. x 1.25" Lg.
83	714-0507	1	S	Cot-Pin 3/32" Dia. x .75" Lg.
85	714-0114	1	S	Sq. Key 1/4 x 2.0" Lg.
86	736-0256	1	S	FI-Wash. .635" I.D. x 1.0"
88	747-0593	1		Brake Rod
89	750-0800	1		Spacer 5/8" I.D. x 1.2" Lg.
90	725-0976A	1	/P	Ground Wire 7.25" Lg.
91	17457A	1	S	Speed Selector Lever
92	16694A	1		7 Speed Selector Brkt.
93	738-0138	1	S	Shld. Bolt .437" Dia. x .47" Lg.
94	711-0677	1	S	Ferrule
95	710-0428	1		Hex Bolt 1/4-28 x 1.25" Lg.
96	714-0104	1	S	Intern. Cot-Pin 5/16" Dia.
97	750-0703	1		Spacer .375" I.D. x .625"
99	736-0264	1	S	FI-Wash. .344" I.D. x .62"
100	736-0463	1	S	FI-Wash. .25" I.D. x .62" O.D.
101	747-0675A	1	/P	Speed Control Rod Code: N notates a new part (not previously existing).
102	736-0133	1	S	FI-Wash. 3/8" I.D. x 1.25" O.D.
103	714-0115	1	S	Cot-Pin 1/8" Dia. x 1.0" Lg.
104	736-0275	1	S	FI-Wash. .34" I.D. x .68"
105	736-0278	1		FI-Wash. .34" I.D.
106	710-0627	1	/P	Hex L-Bolt 5/16-24 x .75" Lg.
107	734-0817	1	/P	Rear Wheel Ass'y. Comp.
108	734-0448	1	/P	Tire Only
109	734-0603A	1	S	Rear Wheel Rim Ass'y. Only
110	736-0242	1	/P	Bell-Wash. .345" I.D. x .88"
113	712-0298	1	S	Hex Jam Nut 1/4-20 Thd.
114	17178A	1	/P	Shift Lever Adjusting Link
115	16482			Spring Brkt.

132-455F190 L-12 (1992)
Engine, Lower Deck & Drive System

Page 10 of 22

Ref #	Part Number	Qty	S/P/F	Description
116	17597	1	S	Brake Rod Guide Brkt.
117	710-0289	1	S/F	Hex Bolt 1/4-20 x .50 Lg.
118	710-0599	1	/P	Hex Wash. Hd. Tap Scr. 1/4-20 x .5" Lg.
119	714-0149B	1	S	Intern. Cotter Pin
120	725-3169A	1	S	Safety Switch (Clutch)
121	720-0232	1	S	Knob
122	726-0231	1	S	Retaining Ring
123	732-0499	1		Compression Spring 1.5" Lg.
124	710-0604	1	S	Hex Wash. Hd. Scr. 5/16-18 x .62" Lg.
125	736-0226	1	S	FI-Wash. .469" I.D. x .88"
126	747-0694A	1	/P	Shift Rod Ass'y.
127	747-0685	1	S	Shift Rod
130	17179	1		Shift Lever Support
131	710-0227	1	/P	Hex Wash. Hd. #8 x .50" Lg.
132	726-0222	1	S	Insulator Nut Plate
133	725-0758	1	S	Spring Switch
134	710-0502A	1	/P	Hex Tap Scr. 3/8-16 x 1.25"
135	710-0672	1	/P	Hex Bolt 5/16-24 x 1 1/4" Lg. Gr. 5
137	712-0123	1	/P/F	Hex Nut 5/16-24 Thd.
138		1		Engine
141	736-0141	1	S	Wave Wash. .445" I.D.
143	741-0404	2 Req'd.	S	Needle Brg.
	751-0450	1		Muffler
	738-0636	1	S	Shoulder Bolt Mounting Hardware
	721-0208	1	S	Gasket Mounting Hardware

132-455F190 L-12 (1992)
Hood, Seat, Deck & Fender



132-455F190 L-12 (1992)
Hood, Seat, Deck & Fender

Page 12 of 22

Ref #	Part Number	Qty	S/P/F	Description
1	16655A	1		Dash Panel Support Brkt.
2	16656	1		Dash Panel
3	710-0118	1	S/F	Hex Bolt 5/16-18 x .75" Lg.
5	710-0776A	1	S	Hex AB-Tap Scr. 1/4 x .62"
7	712-0267	1	S/F	Hex Nut 5/16-18 Thd.
8	725-0634	1	S	Light Switch
9	751-3071	1	S	Gas Cap
10	726-0205	1	/P	Hose Clamp
11	726-0209	1	/P	Cable Tie
12	736-0119	1	S/F	L-Wash. 5/16" I.D.
13	725-0267	1	S	Ignition Switch
14	725-0201	1	S	Ignition Key
15	751-0553	1	S	Fuel Tank
16	751-0535-15	1	S	Gas Line - 15" Lg.
17	761-0194	1	S	Blade Brake Ass'y.
18	710-0134	1	/P	Carriage Bolt 1/4-20 x .62"
19	710-0793	1		Ribbed Neck Bolt 3/8-24 x .8"
20	15607D	1	S	Seat Pivot Brkt.
21	17590	1		Rear Fender Code 638
22	17704	1		Seat Hinge Support Brkt. - R.H.
23	17703	1		Seat Hinge Support Brkt. - L.H.
24	17553	1		Deck Lift Index Brkt.
25	725-0514A	1	S	Battery
26	710-0817	1		Hex Self-Tap Screw 5/6-18 x 1.25" Lg.
27	710-0286	1	/P	Truss Mach. Scr. 1/4-20 x .5" Lg.
28	710-0726	1	/P	Hex AB-Tap Scr. 5/16 x .75" Lg.
29	710-1017	1	/P	Torx Mach. AB-Tap Scr. 1/4 x .62" Lg.
30	710-0623	1	/P	Hex Self-Tap Scr. 3/8-16 x .75" Lg.
31	712-0287	1	S/F	Hex Nut 1/4-20 Thd.
33	731-0871A	1	S	Battery Box w/Cover
34	732-0588	1		Compression Spring
35	725-0222	1	S	Headlight
36	736-0242	1	/P	Bell-Wash. 5/16" I.D.
37	736-0329	1	S/F	L-Wash. 1/4" I.D.
39	736-0607	1	/P	External L-Wash.
40	731-0465	1		Bezel
41	710-0346	1		C-Sunk Mach. Scr. 1/4-20 x 1.5"
42	09960	1		Headlight Retainer
43	17714	1		Side Panel - R.H.
	16283A	1	/P	Side Panel - L.H. (Not shown)
44	731-0511-31	1		Trim Strip 31" Lg.
45	16277	1		Grille Ass'y.
46	17595	1		Grille Mtg. Brkt. - L.H.
47	17596	1		Grille Mtg. Brkt. - R.H.
48	16646	1		Hood Code 638
49	736-0217	1	S	L-Wash. 3/8" I.D. - H.D.
50	712-0241	1	/P	Hex L-Nut 3/8-24 Thd.
52	710-0473	1	/P	Truss Mach. Scr. #10-24 x .5" Lg.
53	723-0308B	1		Foot Pad - R.H.
54	723-0309B	1	/P	Foot Pad - L.H.
57	712-0324	1	/P	Hex Lock Nut 1/4-20 Thd.
58	722-0157	1		Foam Strip
59	723-0302			

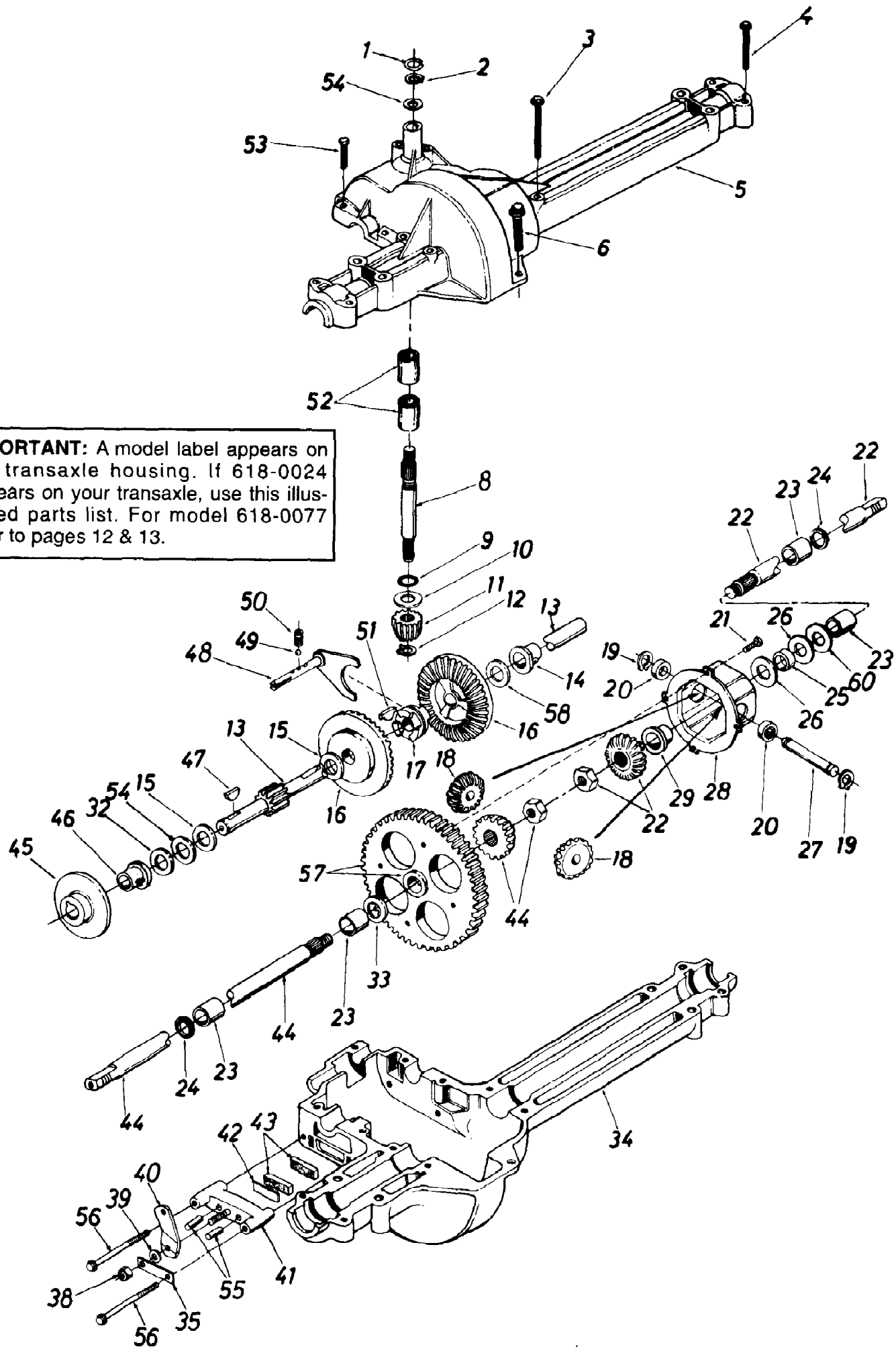
132-455F190 L-12 (1992)
Hood, Seat, Deck & Fender

Page 13 of 22

Ref #	Part Number	Qty	S/P/F	Description
62	732-0559	1		Hood Spring
64	712-0272	1	/P	Hex Sems Nut #10-24 Thd.
65	736-0413	1	/P	Spr. Wash. .39" I.D. x .62" O.D.
66	710-0166	1	S	Truss Mach. Scr. 1/4-20 x 1" Lg.
68	731-0511-81	1		Trim Strip 81" Lg.
72	746-0617A	1		Choke Control
73	831-0823A	1	/P	Throttle Control Box
74	710-0779A	1	/P	Truss AB-Tap Scr. #10 x .5"
75	746-0501	1	/P	Throttle Wire
76	757-0338	1	S	Seat Assembly
78	736-0159	1	S	Flat Wash. .344" I.D. x .88" O.D.
79	722-0160	1		Bushing
80	735-0200	1		Rubber Washer .38" I.D.
81	750-0846	1	/P	Spacer
83	710-0227	1	/P	Hex Tap Scr. #8 x .5" Lg.
84	725-1439	1		Safety Switch (Seat)
85	732-0581	1	S	Ext. Spring 5.31" Lg.
86	17239A	1	S	Seat Lift Brkt.
87	726-0278	1		Insulator Boss Plate
88	738-0155	1	S	Shld. Bolt .437" Dia. x .162" Lg.
89	738-0296	1	S	Shld. Bolt .437" Dia. x .268" Lg.
90	736-0141	1	S	Spr. Wash. .445" I.D. x .75" O.D.
91	710-0604	1	S	Hex Wash. Hd. Scr. 5/16-18 x .62" Lg.
92	726-0279	1		Insulator Plate
94	723-0310A	1		Center Foot Pad
95	725-1303	1	S	Safety Switch (Seat)
96	731-0895	1		Hood Spring Retainer
97	710-0697	1	/P	Oval Hd. Self-Tap Scr. .5" Lg.
98	17592	1		Side Panel Mtg. Brkt. - R.H.
	17593	1		Side Panel Mtg. Brkt. - L.H. (Not shown)
99	712-0147	1	/P	Speed Nut #10-24 Thd.
100	710-0351	1	/P	Truss Mach. B-Tap Scr. #10 x .5" Lg.
102	17782	1		Retainer Clip
	777-9375A	1		L-12 Label - Hood
	777-6551	1		Plastic Logo - Steering Cap
	777-6549	1		Plastic Logo - Hood Sides
	777-6550	1		Plastic Logo - Grille

132-455F190 L-12 (1992)
Single Speed Transaxle - Left Hand P/N 618-0024

IMPORTANT: A model label appears on the transaxle housing. If 618-0024 appears on your transaxle, use this illustrated parts list. For model 618-0077 refer to pages 12 & 13.



132-455F190 L-12 (1992)
Single Speed Transaxle - Left Hand P/N 618-0024

Page 15 of 22

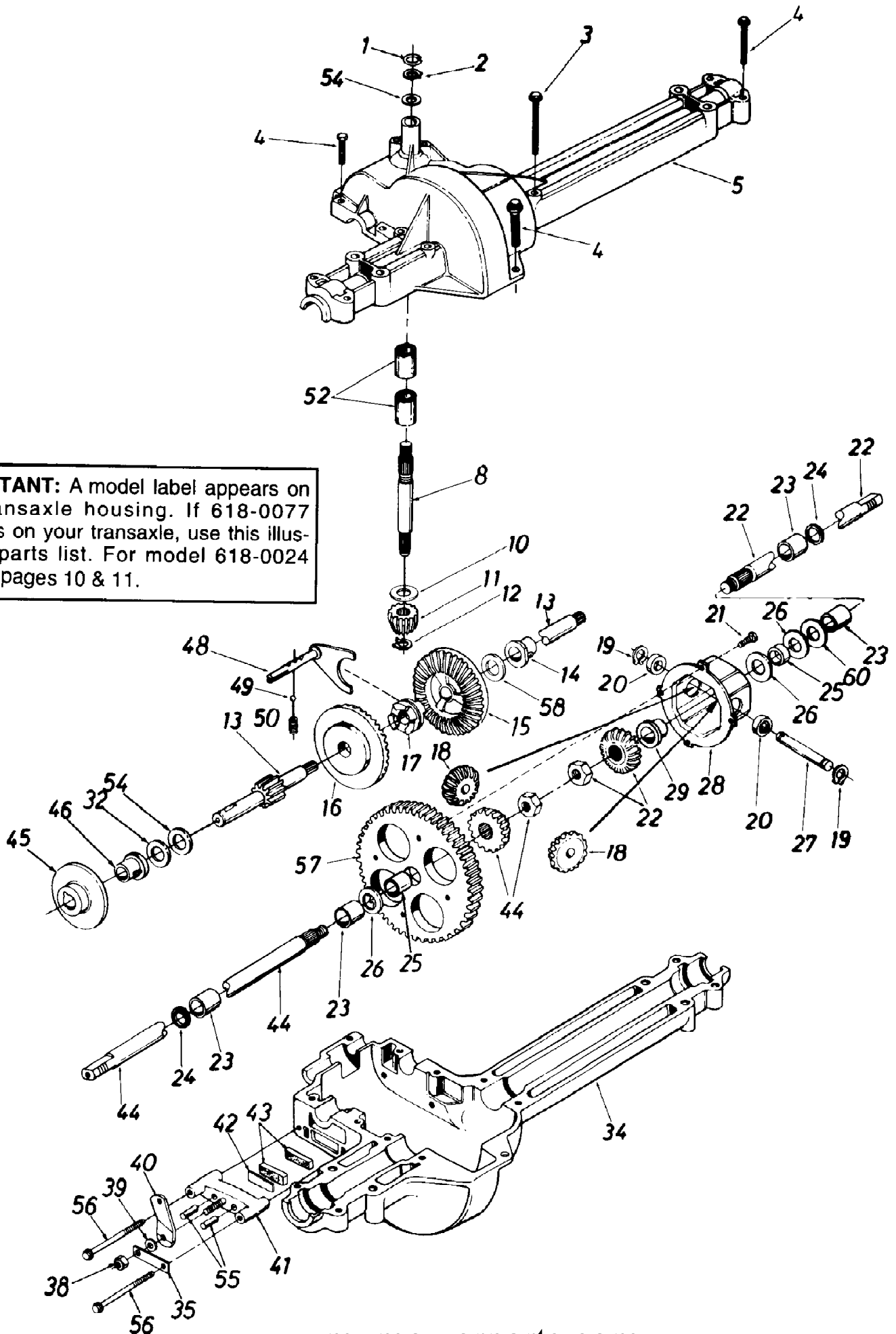
Ref #	Part Number	Qty	S/P/F	Description
	618-0024	1	S	Single Speed Transaxle Left Hand
1	732-0614	1		Wire Ring
2	716-0108	1	S	Retaining - Ring
3	710-0854	1	S/F	Hex Bolt 1/4-20 x 1.75" Lg.
4	710-0809	1		Hex Tap Scr. 1/4-20 x 1.25" Lg.
5	717-0764A	1	S	Upper Housing
6	710-0642	1	/P	Hex TT-Tap Scr. 1/4-20 x .75" Lg.
8	711-0861	1		Input Shaft
9	721-0178	1	S	Square Seal 5/8" I.D.
10	736-0335	1	S	Thrust Washer 5/8" I.D. x 1.25" O.D.
11	717-0633	1	S	Pinion Input 14T
12	716-0171	1	S	Retaining Ring
13	717-0768	1		Drive Shaft
14	741-0336	1	S/F	Flange Brg. 5/8" I.D. x 3/4" Lg.
15	736-0335	1	S	FI-Wash. 5/8" I.D. x 1.25"
16	717-0757	1		Bevel Gear 42T
17	717-0667	1	S	Clutch Collar
18	717-1020	1	/P	Miter Gear 15T (H.D.)
19	716-0184	1	S	Snap Ring
20	741-0589	1	S	Thrust Bearing
21	710-0862A	1	/P	Pan Head Scr. 1/4-20 x .50" Lg. w/Patch
22	717-1023	1	/P	Axle R.H. Ass'y.
23	741-0340	1	S	Sleeve Bearing 3/4" I.D. x 1.0" Lg.
24	721-0179	1	S	Oil Seal 3/4" I.D.
25	750-0827	1		Axle Spacer
26	736-0445	1	S	FI-Wash. .760" I.D. x 1.5" O.D.
27	711-0918	1	/P	Cross Shaft
28	717-1252	1	S	Differential Can Ass'y.
29		1		Part of Ref. 28
32	736-0495	1	S	Thrust Wash. 5/8" I.D. x 1" O.D. x .025" Thk.
	736-0336	1	S	FI-Wash. 5/8" I.D. x 1" O.D. x .030" Thk.
	736-0494	1		Thrust Wash. 5/8" I.D. x 1" O.D. x .035" Thk.
	736-0337	1	S	FI-Wash. 5/8" I.D. x 1" O.D. x .040" Thk.
33	736-0445	1	S	FI-Wash. .760" I.D. x 1.5" O.D.
34	719-0303	1	S	Lower Housing
35	718-0150	1		Anti-Rotation Brkt.
38	712-0273	1	S	Hex Nut 5/16-24 Thd.
39	736-0371	1	/P	FI-Wash. .344" I.D. x .875" O.D.
40	717-0772A	1	S	Actuating Arm Code: N notates a new part (not previously existing).
41	761-0198	1	S	Brake Yoke
42	717-0682	1	S	Puck Plate
43	717-0678	1	S	Brake Puck
44	717-1022	1		Axle L.H. Ass'y.
45	717-0677	1	/P	Brake Disc
46	741-0337	1	S	Flange Bearing 5/8" I.D. x 15/16" Lg.
47	714-0161	1	S	Woodruff Key 3/16 x 5/8 HT
48	717-0754	1	S	Shift Fork Ass'y.
49	741-0862	1	/P	Ball Detent .250" Dia.
50	732-0863	1	S	Spring Detent
51	714-0169	1	S	#9 Hi-Pro Key 3/16" x 3/4" Dia, HT
52	741-0335	1	S	Needle Brg. 5/8" I.D. x 1/2" Lg.

132-455F190 L-12 (1992)
Single Speed Transaxle - Left Hand P/N 618-0024

Page 16 of 22

Ref #	Part Number	Qty	S/P/F	Description
53	710-0855	1	S	Hex Bolt 1/4-20 x 1.00" Lg.
54	736-0349	1	S	FI-Wash. 5/8" I.D. x 1" O.D. x .020 Thk.
55	741-0343	1	S	Actuating Pin 5/16" Dia.
56	710-1206	1	/P	Hex Wash Hd. Self-Tap Scr. 1/4-20 Thd.
57	717-0767	1	S	Differential Gear 72T Ass'y. w/Bearing
58	736-0349	1	S	FI-Wash. 5/8" I.D. x 1" O.D. x .020 Thk.
	736-0495	1	S	Thrust Wash. 5/8" I.D. x 1" O.D. x .025" Thk.
60	736-0492	1	S	FI-Wash. .76" I.D. x 1.5" O.D. x .010" Thk.
	736-0493	1	S	FI-Wash. .76" I.D. x 1.5" O.D. x .020" Thk.
	736-0351	1	S	FI-Wash. .76" I.D. x 1.5" O.D. x .030" Thk.
	736-0445	1	S	FI-Wash. .76" I.D. x 1.5" O.D. x .060" Thk.
	737-0148	1	S	Grease - Shell (10 oz.)

132-455F190 L-12 (1992)
Single Speed Transaxle - Left Hand P/N 618-0077



IMPORTANT: A model label appears on the transaxle housing. If 618-0077 appears on your transaxle, use this illustrated parts list. For model 618-0024 refer to pages 10 & 11.

132-455F190 L-12 (1992)
Single Speed Transaxle - Left Hand P/N 618-0077

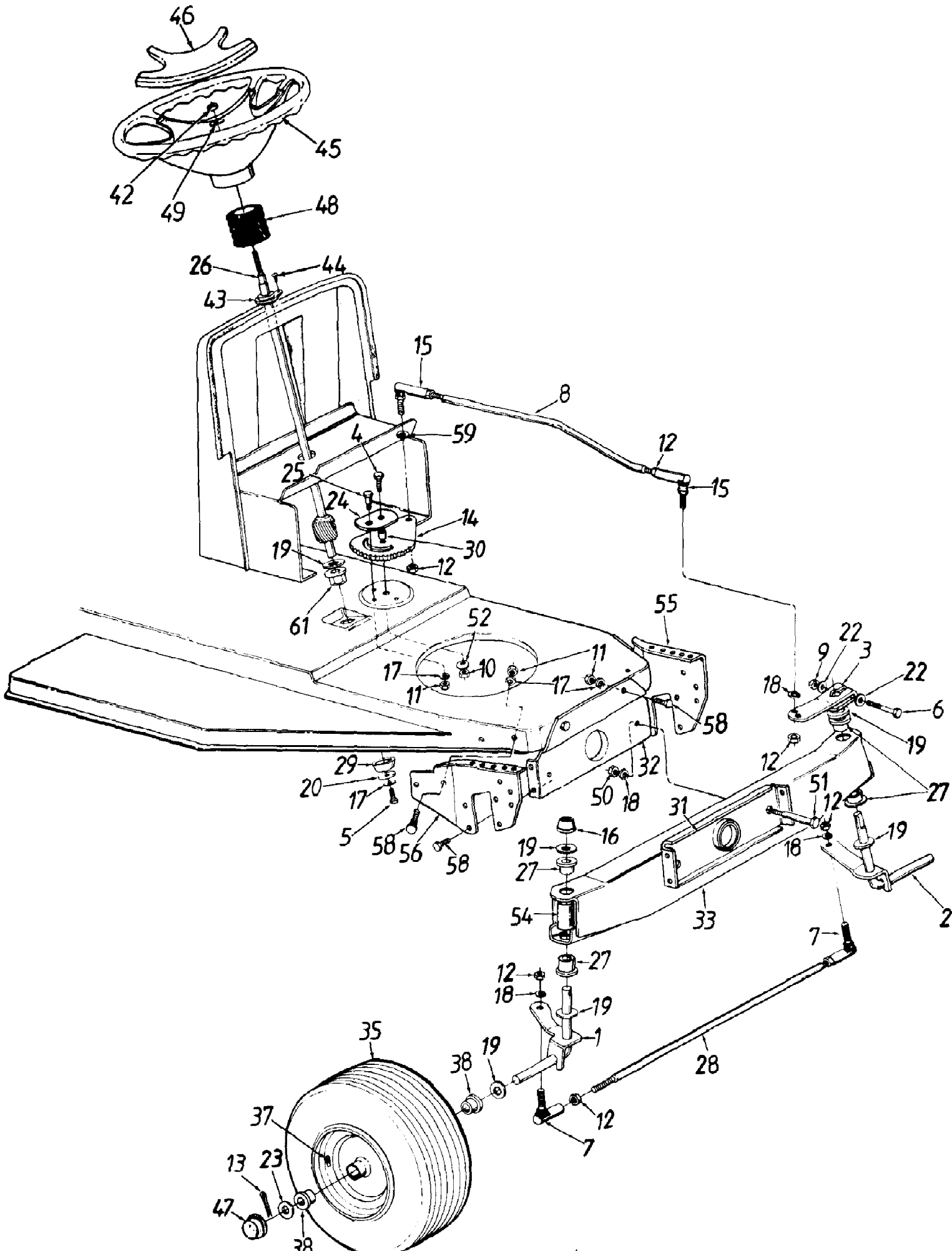
Page 18 of 22

Ref #	Part Number	Qty	S/P/F	Description
	618-0077	1	S	Single Speed Transaxle Left Hand
1	732-0614	1		Wire Ring
2	716-0171	1	S	Retaining - Ring
3	710-0854	1	S/F	Hex Bolt 1/4-20 x 1.75" Lg.
4	710-0809	1		Hex Tap Scr. 1/4-20 x 1.25" Lg.
5	717-0764A	1	S	Upper Housing
8	711-0861	1		Input Shaft
10	736-0335	1	S	Thrust Washer 5/8" I.D. x 1.25" O.D.
11	717-0633	1	S	Pinion Input 14T
12	716-0171	1	S	Retaining Ring
13	711-0942	1	S	Drive Shaft - L.H. Brake Code: N notates a new part (not previously existing).
14	741-0336	1	S/F	Flange Brg. 5/8" I.D. x 3/4" Lg.
15	717-1362	1	S	Bevel Gear 42T Small I.D. Code: N notates a new part (not previously existing).
16	717-1363	1	S	Bevel Gear 42T Large I.D. Code: N notates a new part (not previously existing).
17	718-0228	1		Clutch Collar Code: N notates a new part (not previously existing).
18	717-1020	1	/P	Miter Gear 15T (H.D.)
19	716-0184	1	S	Retaining Ring
20	741-0589	1	S	Thrust Bearing
21	710-0862A	1	/P	Pan Head Scr. 1/4-20 x .50" Lg. w/Patch
22	717-1023	1	/P	Axle R.H. Ass'y.
23	741-0340	1	S	Sleeve Bearing 3/4" I.D. x 1.0" Lg.
24	721-0179	1	S	Oil Seal 3/4" I.D.
25	750-0767	1		Axle Spacer Code: N notates a new part (not previously existing).
26	736-0445	1	S	FI-Wash. .760" I.D. x 1.5" O.D.
27	711-0918	1	/P	Cross Shaft
28	717-1252	1	S	Differential Can Ass'y. Code: N notates a new part (not previously existing).
29		1		Part of Ref. 28
32	736-0495	1	S	Thrust Wash. 5/8" I.D. x 1" O.D. x .025" Thk.
	736-0336	1	S	FI-Wash. 5/8" I.D. x 1" O.D. x .030" Thk.
	736-0494	1		Thrust Wash. 5/8" I.D. x 1" O.D. x .035" Thk.
	736-0337	1	S	FI-Wash. 5/8" I.D. x 1" O.D. x .040" Thk.
34	719-0313	1	S	Lower Housing Code: N notates a new part (not previously existing).
35	718-0150	1		Anti-Rotation Brkt.
38	712-0273	1	S	Hex Nut 5/16-24 Thd.
39	736-0371	1	/P	FI-Wash. .344" I.D. x .875" O.D.
40	717-0772A	1	S	Actuating Arm Code: N notates a new part (not previously existing).
41	761-0198	1	S	Brake Yoke
42	717-0682	1	S	Puck Plate
43	717-0678	1	S	Brake Puck
44	717-1022	1		Axle L.H. Ass'y.

132-455F190 L-12 (1992)
Single Speed Transaxle - Left Hand P/N 618-0077

Page 19 of 22

Ref #	Part Number	Qty	S/P/F	Description
45	761-0202	1		Brake Disc Code: N notates a new part (not previously existing).
46	741-0337	1	S	Flange Bearing 5/8" I.D. x 15/16" Lg.
48	611-0011	1	S	Shift Fork Ass'y.
49	741-0862	1	/P	Ball Detent.250" Dia.
50	732-0863	1	S	Spring Detent
52	741-0335	1	S	Needle Brg. 5/8" I.D. x 1/2" Lg.
54	736-0349	1	S	FI-Wash. 5/8" I.D. x 1" O.D. x .020 Thk.
55	741-0343	1	S	Actuating Pin 5/16" Dia.
56	710-1206	1	/P	Hex Wash Hd. Self-Tap Scr. 1/4-20 Thd.
57	717-1364	1	S	Differential Gear 58T
58	736-0349	1	S	FI-Wash. 5/8" I.D. x 1" O.D. x .020 Thk.
	736-0495	1	S	Thrust Wash. 5/8" I.D. x 1" O.D. x .025" Thk.
60	736-0492	1	S	FI-Wash. .76" I.D. x 1.5" O.D. x .010" Thk.
	736-0493	1	S	FI-Wash. .76" I.D. x 1.5" O.D. x .020" Thk.
	736-0351	1	S	FI-Wash. .76" I.D. x 1.5" O.D. x .030" Thk.
	736-0445	1	S	FI-Wash. .76" I.D. x 1.5" O.D. x .060" Thk.
	737-0148	1	S	Grease - Shell (15 oz.)



132-455F190 L-12 (1992)
Steering Assembly

Page 21 of 22

Ref #	Part Number	Qty	S/P/F	Description
1	17584	1	/P	Front Axle Ass'y. - R.H. Code: N notates a new part (not previously existing).
2	17585	1	/P	Front Axle Ass'y. - L.H. Code: N notates a new part (not previously existing).
3	16481	1	S	Steering Arm
4	710-0152	1	S/F	Hex Bolt 3/8-24 x 1" Lg.
5	710-0538	1	/P	Hex Bolt 5/16-18 x .62" (Spec)
6	710-0772	1	/P/F	Hex Bolt 5/16-24 x 2" Lg.
7	723-3018	1	S	Ball Joint 3/8-24 Thd.
8	711-0838	1		Steering Drag Link
9	712-0237	1	S	Hex L-Nut 5/16-24 Thd.
10	712-0241	1	/P	Hex Nut 3/8-24 Thd.
11	712-0267	1	S/F	Hex Nut 5/16-18 Thd.
12	712-0446	1	S	Hex Jam Nut, 3/8-24 Thd. Code: N notates a new part (not previously existing).
13	714-0470	1	S	Cotter Pin 1/8 Dia.
14	717-0622A	1	S	Steering Gear Segment
15	723-3018	1	S	Drag Link Ball Joint 3/8-24 Thd.
16	726-0214	1	/P	Push Cap
17	736-0119	1	S/F	L-Wash. 5/16" I.D.
18	736-0169	1	S/F	L-Wash. 3/8" I.D.
19	736-0187	1	/P	FI-Wash. .64" I.D. x 1.24"
20	736-0343	1	/P	FI-Wash. .340" I.D. x 1.125"
22	736-0271	1	S	Spr. Wash. .32" I.D. x .62"
23	736-0285	1	/P	FI-Wash. .635" I.D. x 1.585"
24	17198	1	S	Retainer Plate
25	738-0141	1	S	Shld. Bolt .437" Dia. x .350"
26	738-0730	1		Steering Shaft
27	741-0487A	1	S	Hex Flange Brg. .632" I.D.
28	747-0753	1		Tie Rod 20" Lg.
29	750-0532	1	S	Spacer .985" I.D.
30	750-0535	1	S	Spacer .380" I.D.
31	17548	1		Front Pivot Bar Support Brkt.
32	17547	1	S	Rear Pivot Bar Support Brkt.
33	683-0002	1	S	Pivot Bar Ass'y. Code: N notates a new part (not previously existing).
35	734-1684A	1		Front Wheel Ass'y. Comp. 15" x 6"
	734-0864A	1		Tire Only
	734-1685A	1	S	Rim Only
	737-0280	1	S	Grease Fitting
37	734-0255	1	S	Air Valve
38	741-0569	1	S	Bearing
42	712-0237	1	S	Hex L-Nut 5/16-24 Thd.
43	741-0501	1	S	Steering Column Brg.
44	710-0837	1		Cr-Sunk Scr. #10 x 5/8" Lg.
45	631-0005	1	S	Steering Wheel
46	731-1344	1		Steering Wheel Cap
47	731-0484A	1	S	Hub Cap
48	731-0559	1	S	Bellow Steering Column
49	736-0242	1	/P	Bell-Wash. .345" I.D. x .88"
50	712-0798	1		Hex Nut 5/16-18 Thd.

132-455F190 L-12 (1992)
Steering Assembly

Page 22 of 22

Ref #	Part Number	Qty	S/P/F	Description
51	738-0527	1	S	Shld. Bolt 1/2" Dia. x 2.04"
52	736-0356	1	S	Bell-Wash. .39" x 1.38" O.D.
54	731-1134	1		Plastic Tube
55	17545	1		Pivot Bar Side Plate - L.H.
56	17546	1		Pivot Bar Side Plate - R.H.
58	710-0604	1	S	Hex Wash. Tap Scr. 5/16-18 x .62" Lg.
59	736-0217	1	S	L-Wash. 3/8" I.D. (H.D.)
61	741-0225	1	S	Hex Flange Brg. .634" Dia.